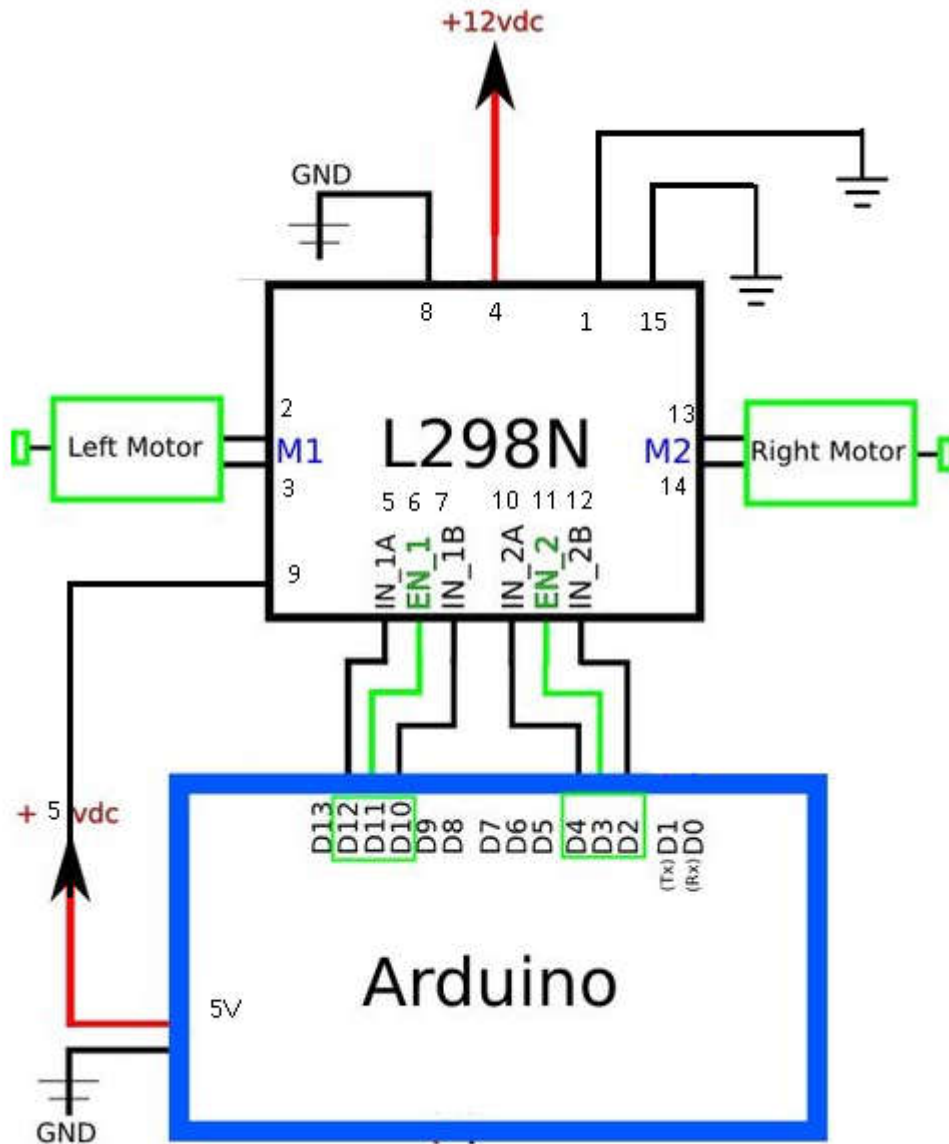


## ARDUINO + L298 + DC MOTOR



```
int IN_1A = 12; int EN_1 = 11; int IN_1B = 10;  
int IN_2A = 4; int EN_2 = 3; int IN_2B = 2;  
int m1speed=50; //max 255
```

```
void loop() {  
  digitalWrite(IN_1A, HIGH);  
  digitalWrite(IN_1B, LOW);  
  analogWrite(EN_1, m1speed);
```

```
  digitalWrite(IN_2A, HIGH);  
  digitalWrite(IN_2B, LOW);  
  analogWrite(EN_2, m1speed);  
  delay(5000);  
}
```